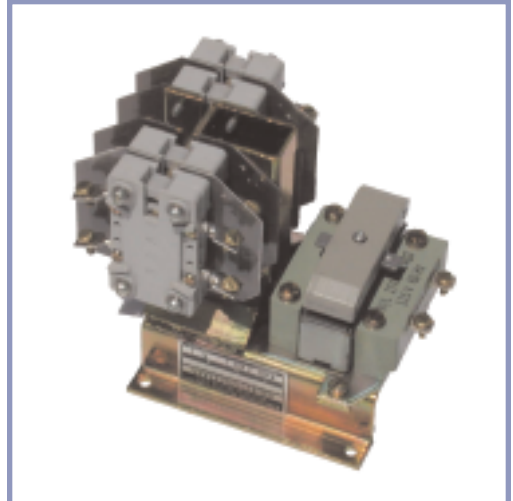


# AC Relays

## Type IC5182

Series N147 Overload Relays are of the magnetically operated self reset type, designed for use on A.C. or D.C. motor starters and controllers for Navy Service A applications.

<b>Specification</b>	<b>MIL-C-2212</b>
<b>Application</b>	Auxiliary relay, control relay, or undervoltage relay.
<b>Forms</b>	Select standard form (IC5182), or quiet form (IC5182D) when control is to meet standard MIL-STD-740. All quiet AC relays undergo special testing at the factory.
<b>Contacts</b>	Available in 2, 4, 6, and 8 contact versions.
<b>Rated Ambient</b>	50° C
<b>Duty</b>	Continuous
<b>Insulation</b>	Class B (coil is Class A)



Type IC5182 AC Relay

Number of Contacts	Basic Catalog Number IC5182			
	Standard		Quiet	
	115 V Coil	440 V Coil	115 V Coil	440 V Coil
2	C120A3	C120A6	D120A3	D120A6
4	C120A3	C120A6	D120A3	D120A6
6	C120A3	C120A6	D120A3	D120A6
8	C120A3	C120A6	D120A3	D120A6

### Ordering Information

Order by complete catalog number. Complete catalog number consists of the basic catalog number, plus a contact arrangement indicator.

**Example:** A standard relay having a 440 VAC, 60 Hz coil and 6 N.O. and 2 N.C. contacts is: IC5182C120A6ABBA



**Unlisted Ratings:** For other unlisted voltages or frequencies or for application on D.C., refer to Company.

### Control Power Requirements

Volts	Amperes Holding	Amperes Inrush
115	0.33	2.1
440	.08	0.5

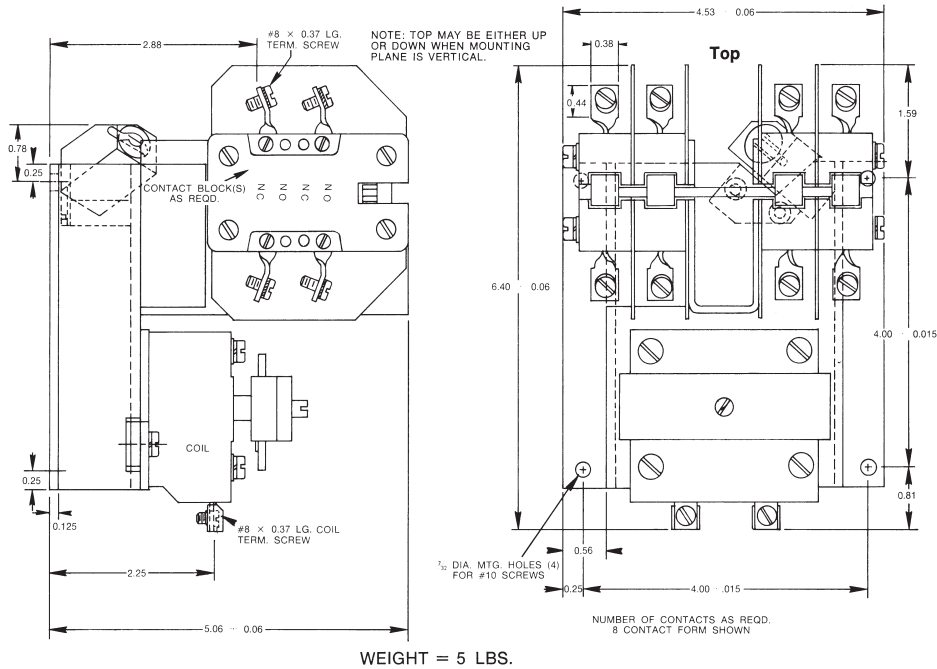
### Contact Ratings (Amperes)

Volts	Carry	Make	Break	
			One Contact	2 Contacts in Series
115 VAC	10	60	10	-
440 VAC	10	60	5	-
115 VDC				
Inductive	10	60	1	2
Noninductive	10	60	5	10
230 VDC				
Inductive	10	60	0.5	1
Noninductive	10	60	2	4

# AC Relays

## Type IC5182

### Outline and Mounting Dimensions



### Contact Arrangements

No. of Auxiliary Contacts	Arrangements		Contact Arrangement Indicator
	N.O.	N.C.	
2	2	0	XBXX
	1	1	XAXX
	0	2	XCXX
4	0	4	XCCX
	1	3	XACX
	2	2	XAAX
	3	1	XABX
	4	0	XBBX
6	6	0	BBBX
	5	1	ABBX
	4	2	ABAX
	3	3	AAAX
	2	4	ACAX
8	8	0	BBBB
	7	1	ABBB
	6	2	ABBA
	5	3	AABA
	4	4	AAAA