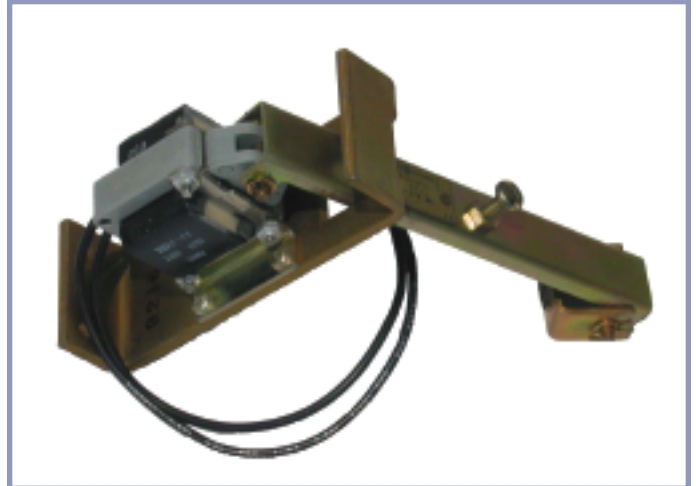


# Reset Relays

## Type IC5882A300 and IC5882A400

<b>Specification</b>	<b>MIL-C-2212</b>
<b>Application</b>	Use for remote resetting of Types IC5882D and IC5882-34 overload relays.
<b>Duty</b>	Short time, 30 minutes, 200° C maximum temperature.
<b>Voltage</b>	600 volts maximum.



For Use With Overload Relay	Reset Relay Catalog Number	
	115 VAC	440 VAC
IC5882D121A*	IC5882A400H12	UC5882A400H14
IC5882D122A*	IC5882A400H12	UC5882A400H14
IC5882D123A*	IC5882A400H12	UC5882A400H14
IIC5882-34KK**	IC5882A300B12	UC5882A300B14
IIC5882-34KK**	IC5882A300B12	UC5882A300B14
IIC5882-34KK**	IC5882A300B12	UC5882A300B14

### Ordering Information

Order by catalog number. Overload relay is ordered separately.

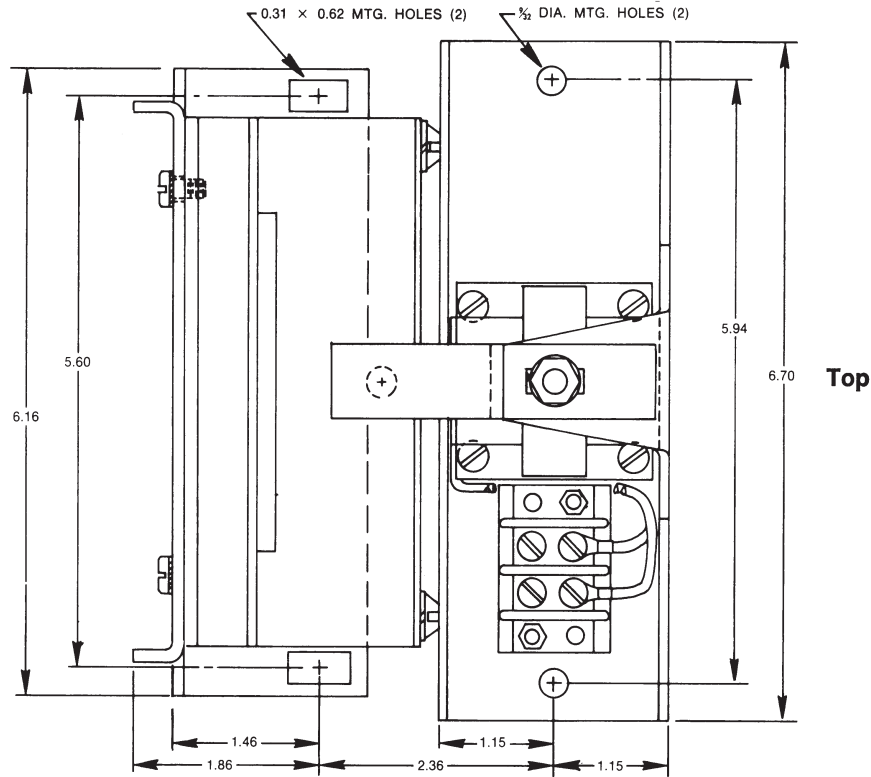
\* Resets only the short reset rod version of Type IC5882D overload relay.

\*\* Resets two Type IC5882-34 overload relays.

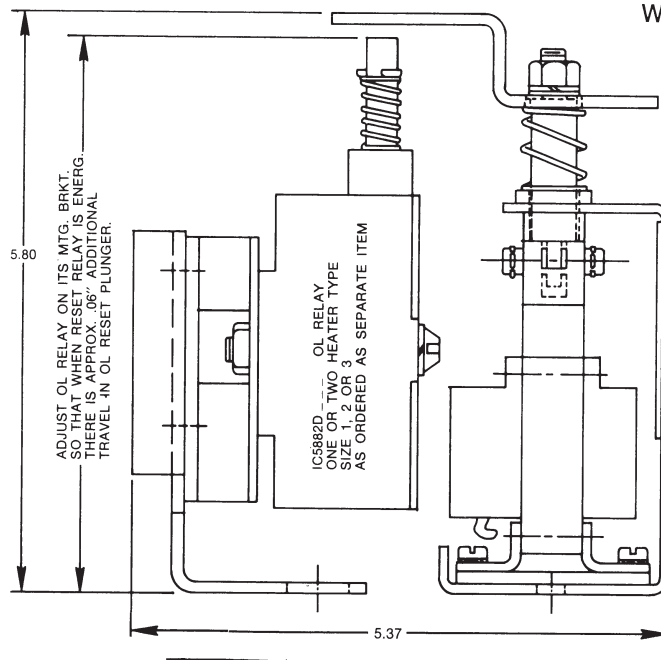
# Reset Relays

## Type IC5882A300 and IC5882A400

### Outline and Mounting Dimensions (In Inches)



WEIGHT = 2 LBS.

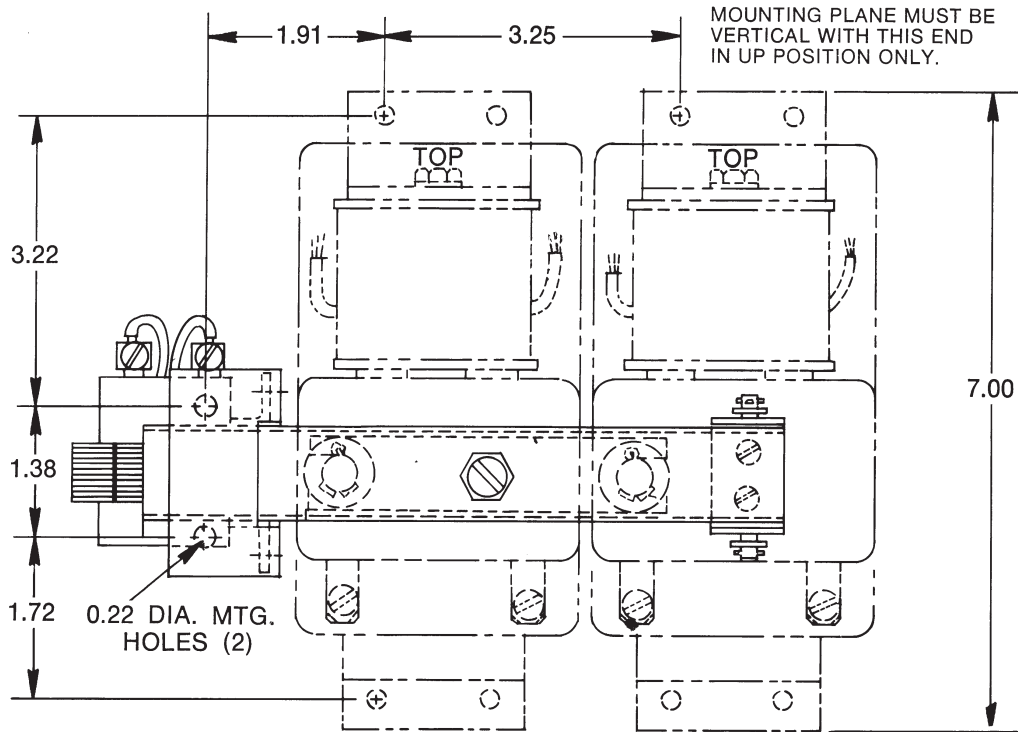


**TYPE IC5882A400H RESET RELAY**

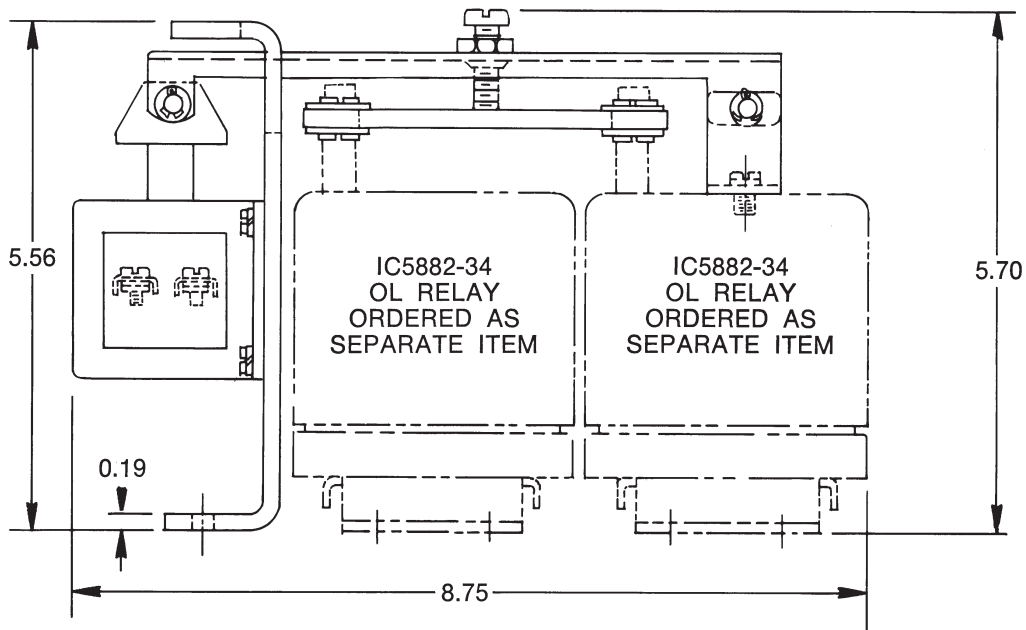
# Reset Relays

## Type IC5882A300 and IC5882A400

### Outline and Mounting Dimensions (In Inches)



WEIGHT = 2 LBS.



TYPE IC5882A300 RESET RELAY