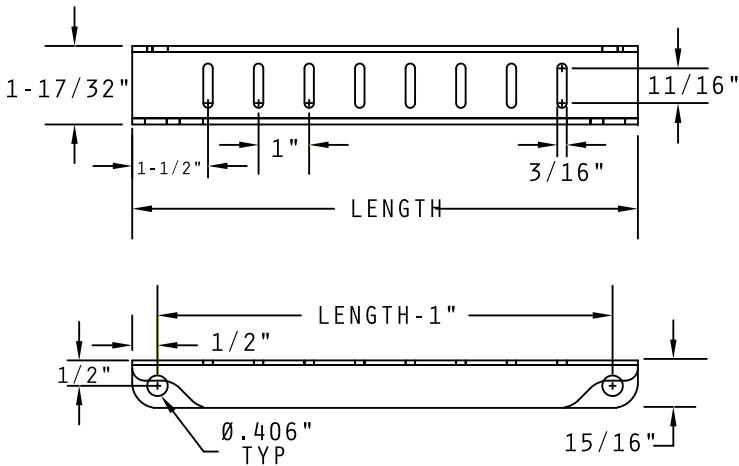
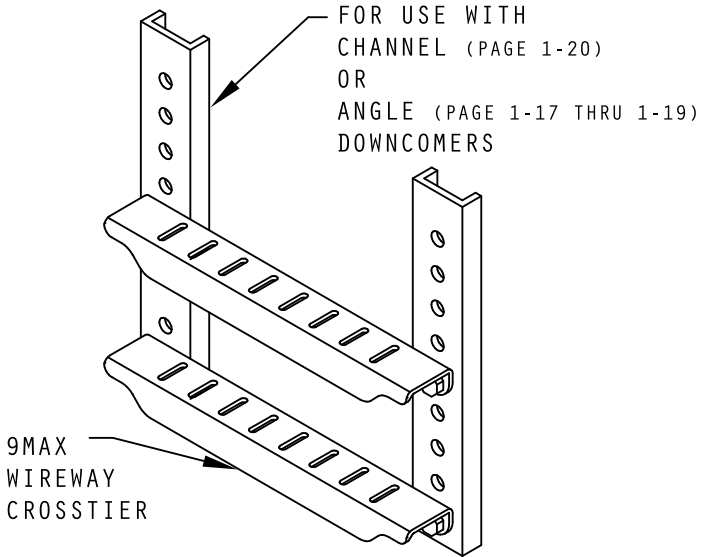


9MAX CROSSTIER

MAX LOAD WIREWAY CROSSTIER

DESIGNED TO MEET EXTRA HEAVY LOADS,
RATED FOR 150 LBS. EACH TIER



AVAILABLE IN 1" INCREMENTS FROM 6" TO 30"		
STEEL	ALUMINUM	STAINLESS STEEL
9MAX06 - 9MAX30	9MAX06A - 9MAX30A	9MAX06S - 9MAX30S