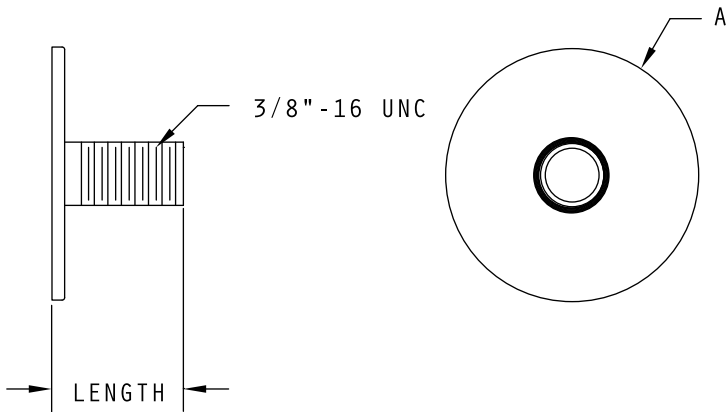
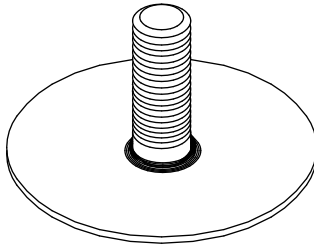


# STUD PLATE

## GLUE MOUNT



NO GLUE OR APPLICATOR INCLUDED WITH PART  
ADDITIONAL THREAD SIZE AND STUD DIAMETERS AVAILABLE

PART NUMBER			
ALUMINUM	STAINLESS	LENGTH	A DIA.
CB138A10	CB138C10	1"	2"
CB138A15	CB138C15	1 1/2"	2"
CB138A20	CB138C20	2"	2"
CB438A10	CB438C10	1"	1 1/4"
CB438A15	CB438C15	1 1/2"	1 1/4"
CB438A20	CB438C20	2	1 1/4"