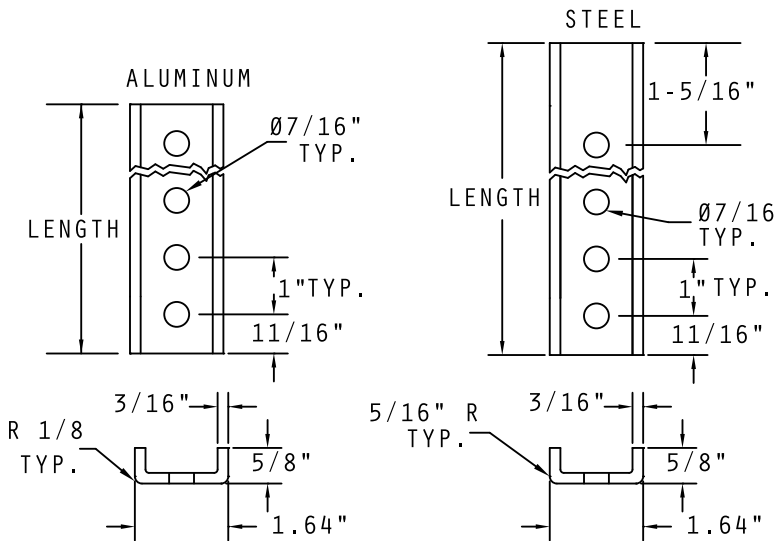
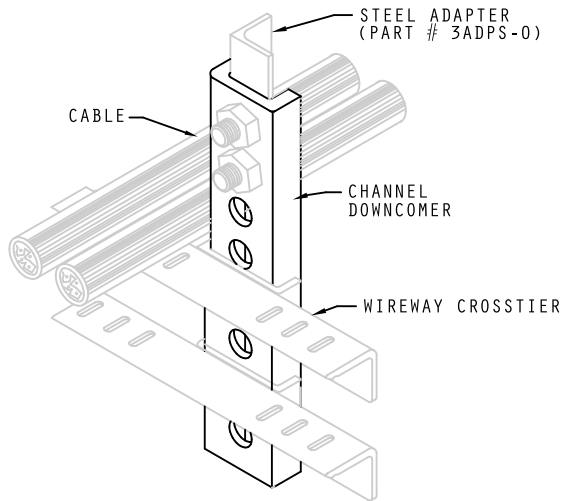


# CHANNEL



*MANUFACTURED IN STRICT COMPLIANCE WITH E.P.I.S.M. DRAWING NO. 803-5001027*

AVAILABLE IN 1" INCREMENTS FROM 3 3/8" TO 36 3/8" & 120 3/8"	AVAILABLE IN 1" INCREMENTS FROM 4" TO 48" & 120"
*ADDITIONAL SIZES AVAILABLE ON REQUEST*	
ALUMINUM	STEEL
3CD-03 - 3CD-120	3CDS-04 - 3CDS-120