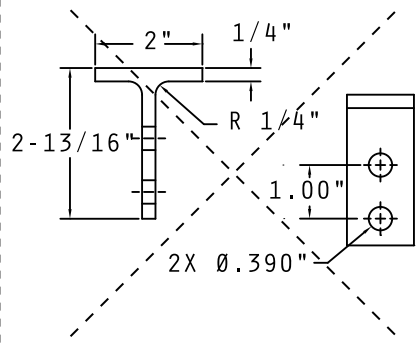
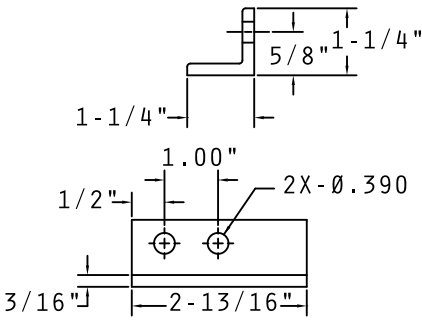


MOUNTING ADAPTERS

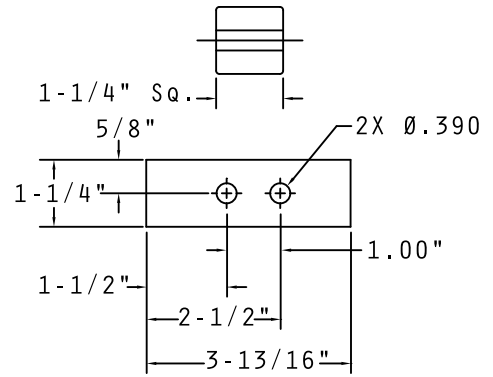
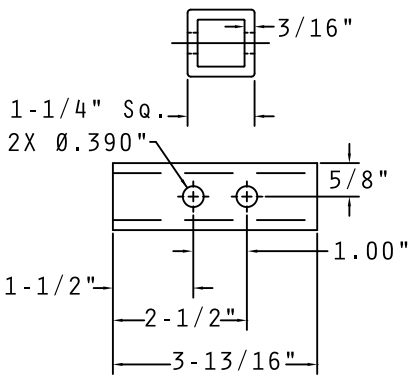
MANUFACTURED IN STRICT COMPLIANCE WITH E.P.I.S.M. DRAWING NO. 803-5001027



*****OBSOLETE*****

STEEL	ALUMINUM
3ADPS-0	3ADPA

MANUFACTURED IN STRICT COMPLIANCE WITH E.P.I.S.M. DRAWING NO. D0D-2003



STEEL	ALUMINUM
3ADPS-4B	3ADPA-4B