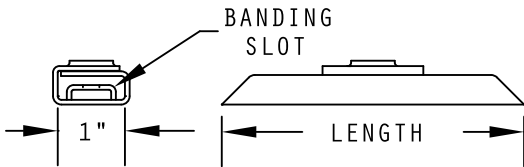
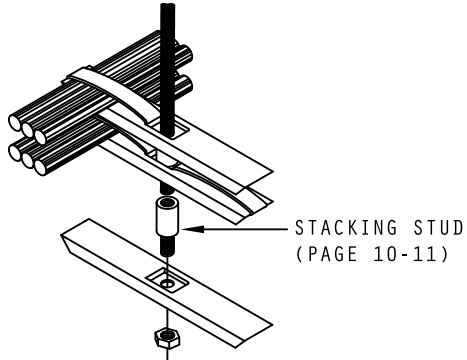


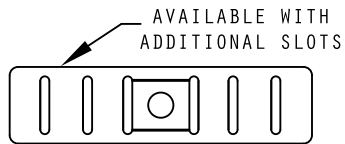
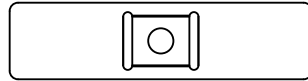
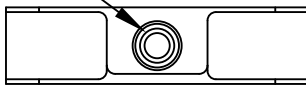
T - BAR HANGER

INVERTED T HEAVY DUTY

RATED FOR LOADS UP TO 20 LBS



3/8-16 THREAD WITH THRU HOLE



MAX LOAD: 2 TIER OFF BULKHEAD, 3 TIER OFF OVERHEAD

| AVAILABLE IN 1" INCREMENTS FROM 2 1/2" - 7 1/2" | |
|---|---------------------------------|
| STEEL | STAINLESS |
| RTGT7250 - RTGT7750 | RTGT7250S - RTGT7750S |
| STEEL WITH ADDITIONAL SLOTS | STAINLESS WITH ADDITIONAL SLOTS |
| RTGTS7350 - RTGTS7750 | RTGT7S350S - RTGTS7750S |