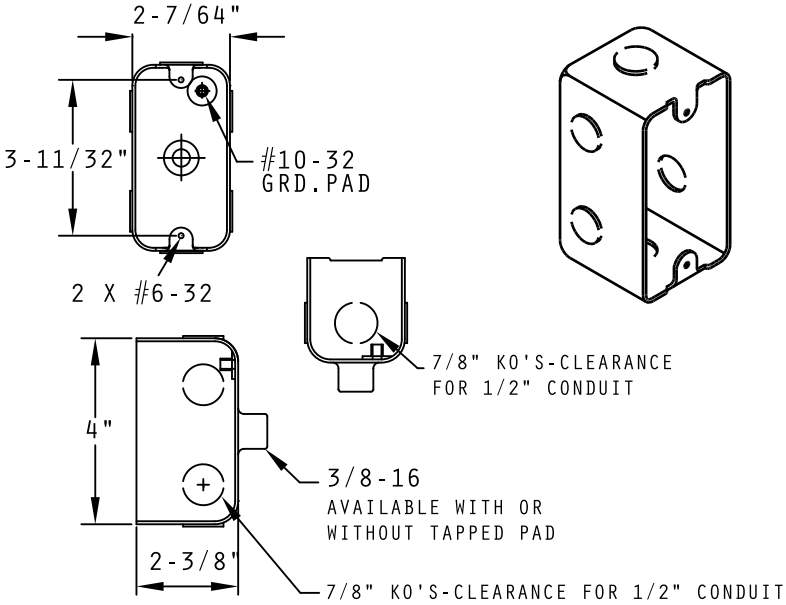


SINGLE GANG OUTLET BOX

WITH OR WITHOUT TAPPED PAD



DRAWN 2X4 RECTANGULAR UTILITY BOXES ARE AVAILABLE WITH WELDED STUDS FOR EASY MOUNTING TO THE SHIP'S BULKHEAD, STEEL BOXES ARE ELECTROGALVANIZED.

EACH 7/8" INCH KNOCKOUT IS PUNCHED OUTWARDS SO NO SLUGS WILL FALL INTO THE BOX. MOUNTING STUD IS FEMALE TYPE, SIZE 3/8-16, ALL BOXES ARE EQUIPPED WITH A GROUND PAD SUITABLE FOR A #10-32 SCREW, A VARIETY OF STAMPED STEEL OR ALUMINUM COVERS ARE AVAILABLE IN BLANK, DUPLEX RECEPTACLE, AND TOGGLE SWITCH CONFIGURATIONS.

COMPLIES WITH UL-514A - SYMBOL # 406.2
COMPLIES WITH S6202-73980 - METHOD 3575

STEEL			
PART #	# KNOCKOUTS	STUD	COVER
BX422XXS	2		
BX422XPS	2	•	
BX422CPS	2	•	•
BX426XXI	6		
BX426XPI	6	•	

ALUMINUM			
PART #	# KNOCKOUTS	STUD	COVER
BX422XXA	2		
BX422XPA	2	•	
BX422CPA	2	•	•