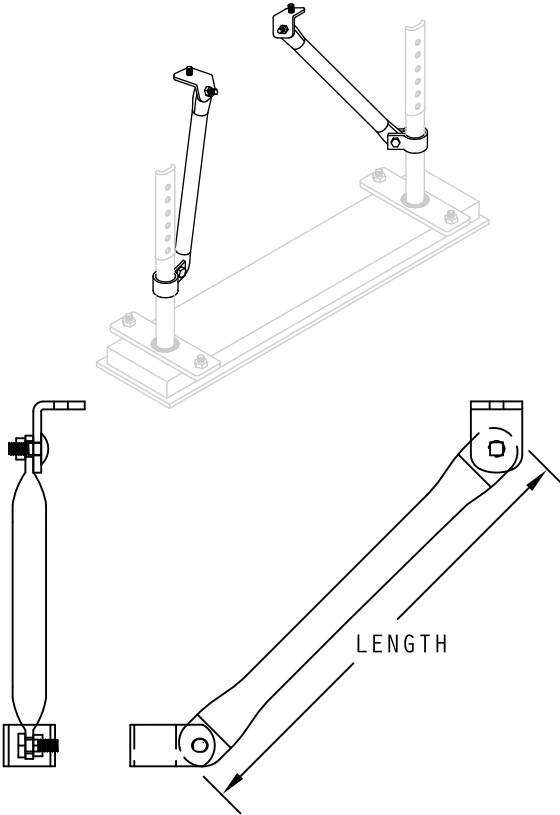


LEG SUPPORT

BOLT ON BRACE



CATALOG NUMBERING SYSTEM
(FOR EACH BRACE)

SAMPLE CATALOG NUMBER:
EF BB ** S A

 COMPLETE W/ANGLE AND CLIP
S = STEEL
LENGTHS AVAILABLE
BOLT ON BRACE

ADDITIONAL LENGTHS AVAILABLE

AVAILABLE IN 24", 30", AND 36"

STEEL

EFBB24SA - EFBB36SA