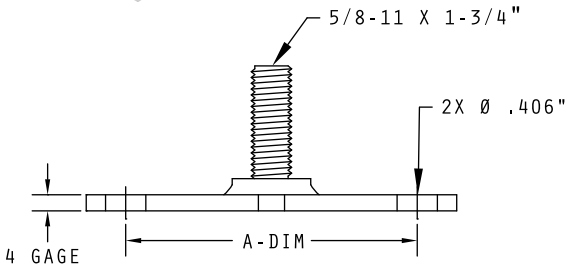
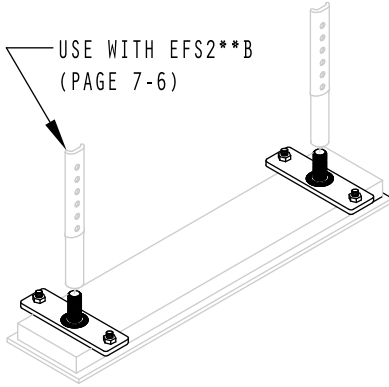


# LIGHT FEET

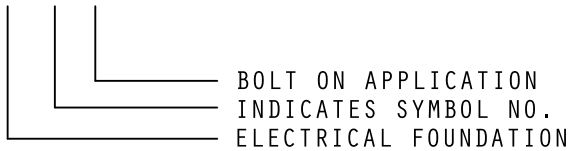
## ADJUSTABLE TYPE



CATALOG NUMBERING SYSTEM  
(FOR EACH LEG)

SAMPLE CATALOG NUMBER:

EF 10 M



STEEL		
PART NUMBER	SYMBOL NUMBER	A-DIM
EF10M	70.3, 79.1, 80.1, 338.1, 347	4 3/4"
EF20M	73.3, 77.4, 145.2, 149.2, 344	7 1/4"
EF30M	333.1, 341.1, 342	9 1/4"
EF40M	348	11"
EF50M	74, 75	13"
EF60M	349, 350	15 1/2"