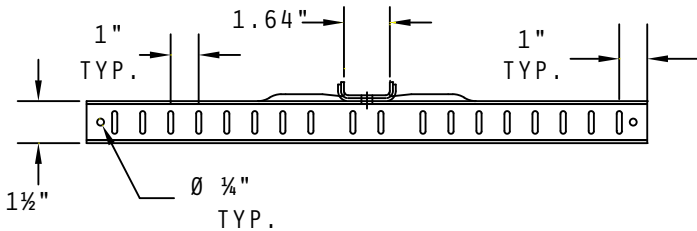
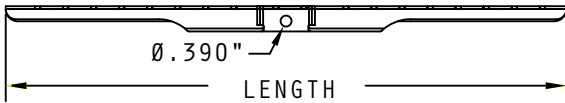
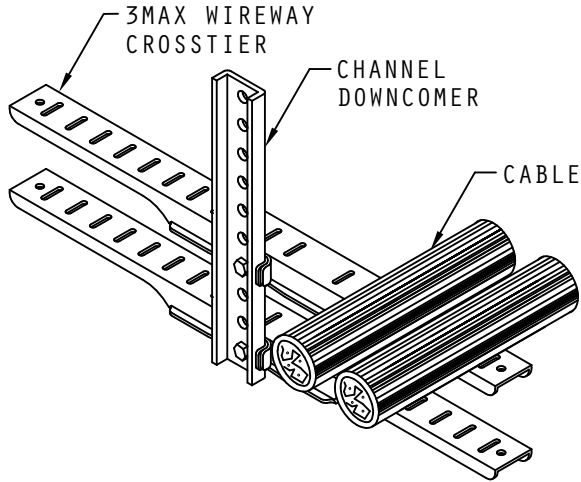


3MAX CROSSTIER

MAX LOAD WIREWAY CROSSTIER

DESIGNED TO MEET EXTRA HEAVY LOADS,
 RATED FOR 150 LBS. EACH TIER



AVAILABLE IN 2" INCREMENTS FROM 10" TO 24"

STEEL

3MAX10 - 3MAX24